

## E5 Cam Latch

Zinc · Push-to-close · Hand, key or tool operated · Single and two point

### Features

- Single hole installation
- Latched / unlatched indicator
- Push-to-close action

### Product Performance

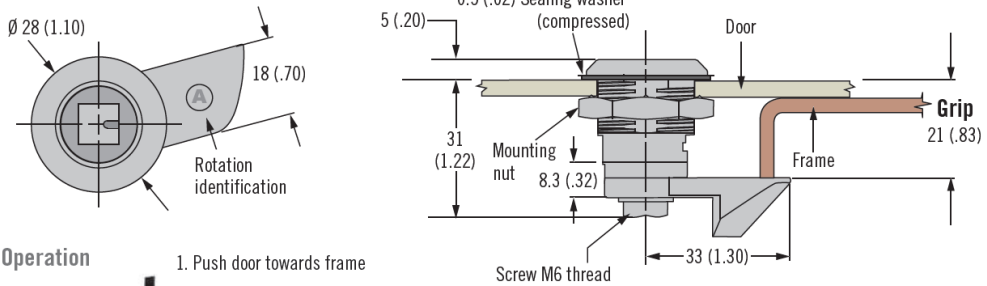
- Maximum static load: 330 N
- Mounting nut maximum tightening torque: 10 N.m
- Screw maximum tightening torque: 5 N.m for two point actuator only

### Material

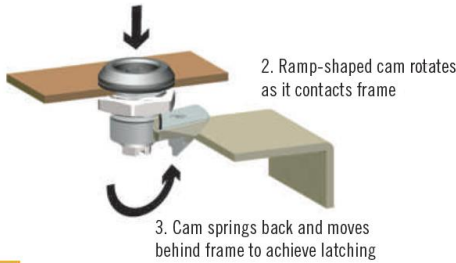
- Zinc alloy, powder coated and steel, zinc plated



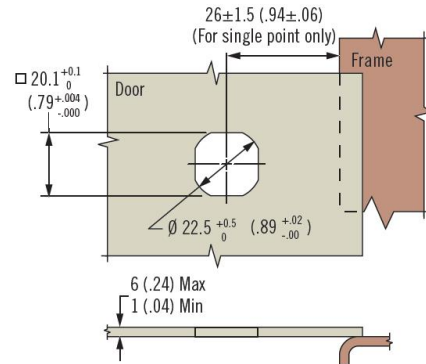
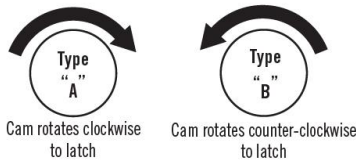
### Single Point Spring-Loaded (Type A tool operated shown)



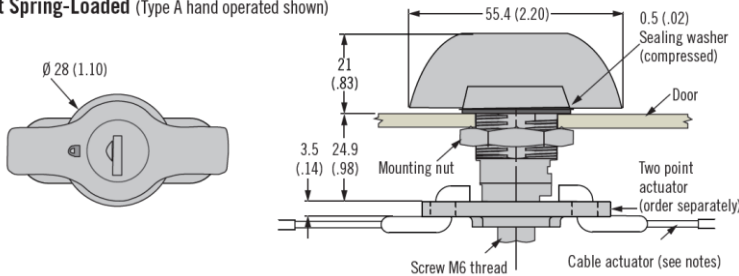
### Operation



### Rotation

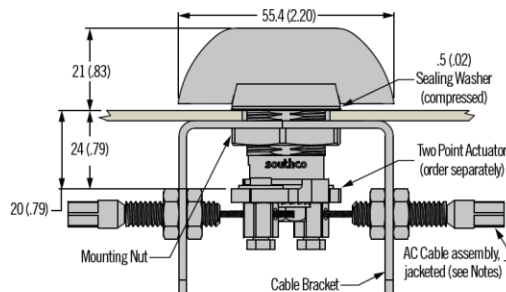


### Two Point Spring-Loaded (Type A hand operated shown)



### Two Point Actuator for bare cable

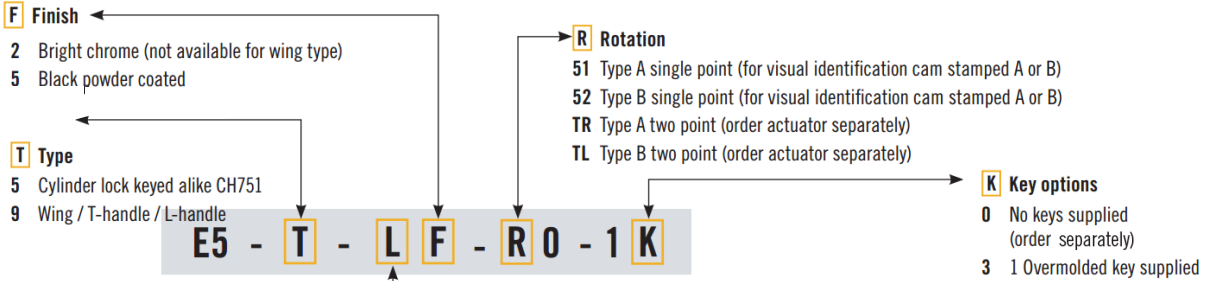
(order separately)



### Notes

- Single Point: Push-to-close action in unlocked position only and key inserted (cylinder lock)
- Two Point: Order actuator separately
- Contact Gripwell for lock core and key choice selector
- Two point to be used with Southco's R4 rotary series latches and cables
- Two point push to close action: Internal spring causes return of driver and actuator to original latched position when driver is released after opening. Ideal for use with cables and rotary latches.

### Hand / Key Operated

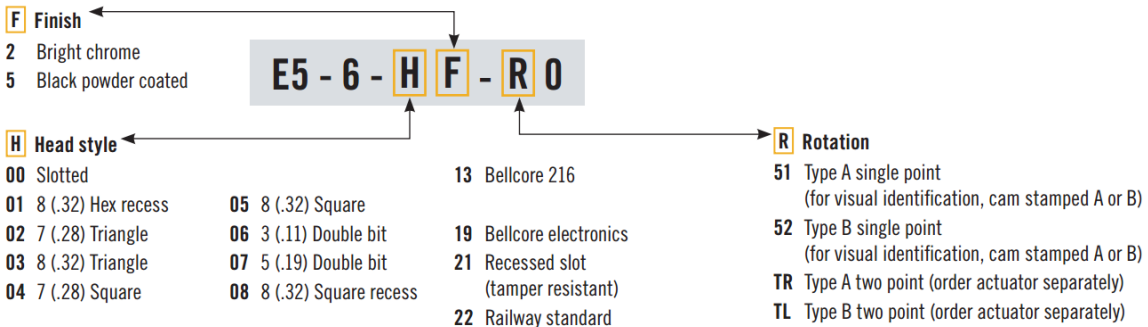
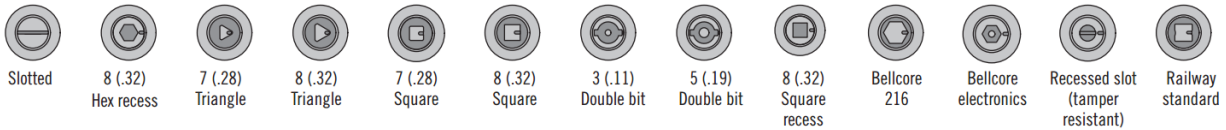


Latch supplied fully assembled

Lock style	T = 5		T = 9	
	Cylinder Lock	Wing	T-handle	L-handle
Non-locking (omit last two digits of part number)	~	30	60	70
Keyed CH751 (lock core finish matches handle finish)	~	31	61	71
Keyed CH751 (stainless steel scalp shuttered)	40	~	~	~
Keyed R001 reversible (stainless steel scalp shuttered)	~	32	62	72
Without lock core (omit last two digits of part number) <i>Contact Gripwell for lock core selection</i>	~	33	63	73

### Tool Operated

#### H Head Styles



Latch supplied fully assembled

## E5 Cam Latch Accessories

### Keys and flush mount bracket

#### Material

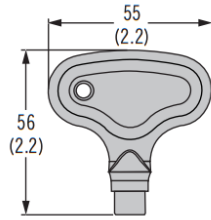
- Tool key: Zinc alloy or nylon
- Overmolded key: Nickel plated and ABS plastic black
- Flat key: Nickel plated



#### Keys Zinc or Nylon

##### H Head style

- 2 3 (.11) Double bit
- 3 7 (.28) Triangle
- 4 7 (.28) Square
- 7 8 (.32) Triangle
- 8 8 (.32) Square recess
- 9 5 (.19) Double bit (nylon only)
- 10 8 (.32) Square male (zinc only)
- 11 Bellcore electronics
- 12 Bellcore 216 (zinc only)
- 14 Railway Standard (zinc only)



##### F Finish

- 1 Plated zinc
- 2 Natural zinc
- 3 Nylon, black

E3 - H - F

#### Head Styles

- 2 3 (.11) Double bit
- 3 7 (.28) Triangle
- 4 7 (.28) Square
- 7 8 (.32) Triangle
- 8 8 (.32) Square recess
- 9 5 (.19) Double bit
- 10 8 (.32) Square male
- 11 Bellcore electronics
- 12 Bellcore 216
- 14 Railway Standard

#### Overmolded Keys

Key CH751



Key R001



#### Flat Keys

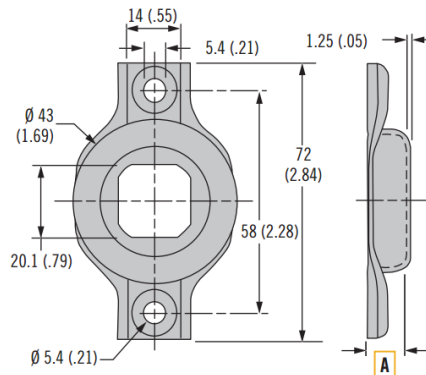
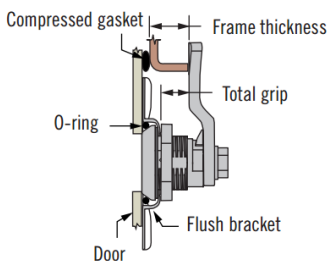
Key CH751



#### Part Number

- Overmolded key CH751:
  - Single: PK-10-10-05
  - Pair: PK-10-01-05
- Overmolded key R001:
  - Single: PK-10-10-05-KR001
  - Pair: PK-10-01-05-KR001
- Flat key
  - Pair: PK-10-01

#### Flush Mount Bracket



#### Material

- Stainless steel or galvanized steel with rubber o-ring

A	Part Number	Material
6.6	E3-77-1-12	Galvanized steel
6.6	E3-77-1-24	304 Stainless steel

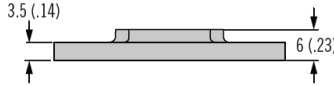
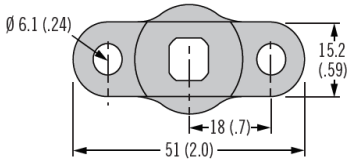
To calculate the **Total Grip**, use the following formula: **Frame Thickness + Compressed Gasket - A**.  
Use this **Total Grip** with the appropriate E5 tables in the *SOUTHCO*® Handbook to determine cam type.

## E5 Cam Latch Accessories

Multi-point actuators · Dummy cam



### Multi-Point Actuator



Part Number	
A5-91-201-11	

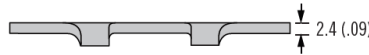
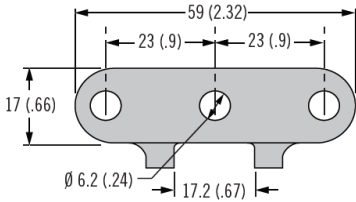
#### Material

- Zinc alloy

#### Notes

- Contact Gripwell for multi-point for cable assembly options
- Not recommended for Cylinder Lock version)
- Not to be used with low profile E5

### Multi-Point Actuator - Low Profile



Part Number	
A8-4-01-03	

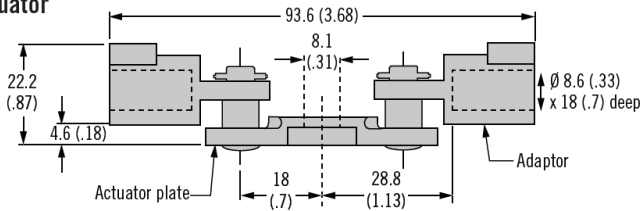
#### Material

- Steel plated

#### Notes

- Contact Gripwell for multi-point rod options
- For use with all E5 latches

### Multi-Point Actuator



Part Number	
A5-90-101-11	

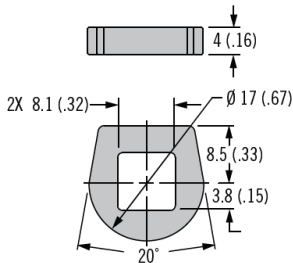
#### Material

- Zinc alloy and steel, zinc plated

#### Notes

- Contact Gripwell for multi-point rod options
- Not to be used with low profile E5

### Dummy Cam



Part Number	
Steel	H3-0-45688
Stainless Steel	H3-0-45688-24

#### Material

- Steel, stainless steel

#### Notes

- Replaces cam when used with actuator plate A5-90-101-11 in order to create a 2-point latching system

## E5 Cam Latch Accessories

Hooked cam · Multi-point actuator · Cable brackets



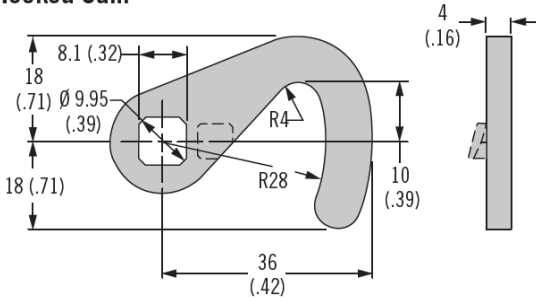
### Material

- Hook cam: Steel, plated
- Multi-point actuator: Zinc alloy, plated
- Cable bracket: Steel, plated

### Notes

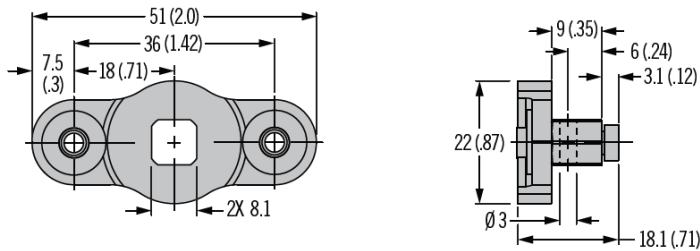
- Not to be used with low profile E5

### Hooked Cam



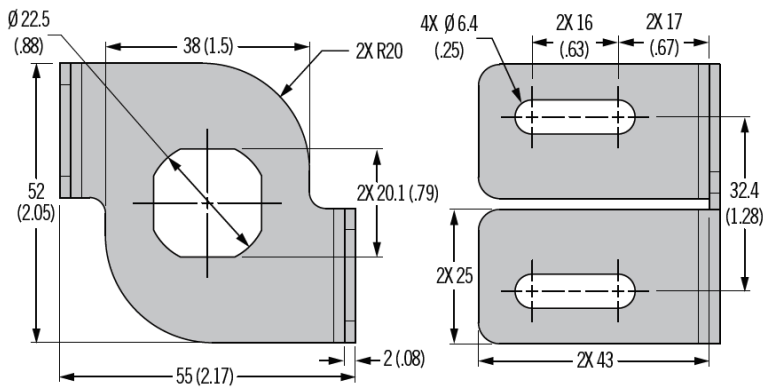
Hooked Cam Part Number	
E5-6200	No stop
E5-6210	Stop for clockwise rotation
E5-6220	Stop for counter-clockwise rotation

### Multi-Point Actuator



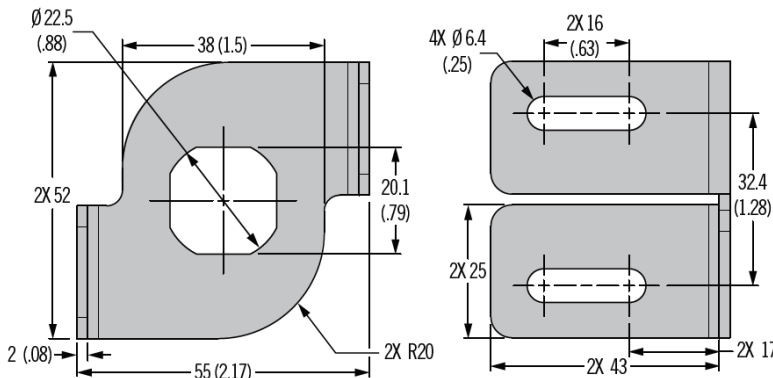
Part Number
A5-99-136

### Cable Bracket – Counter Clockwise Rotation



Part Number
AC-0-49617-11-L

### Cable Bracket – Clockwise Rotation



Part Number
AC-0-49617-11-R

## E5 Cam Latch Accessories

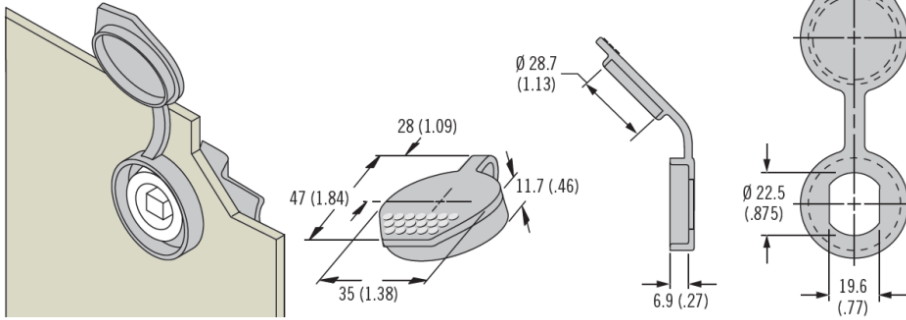
Sealing cover · Sealing washer · Pull tab · Padlock bracket



### Material

- Sealing washer: Neoprene natural
- Sealing cover: Thermoplastic elastomer, black
- Padlock bracket: Stainless steel, black powder coated
- Pull tab: Nylon, black

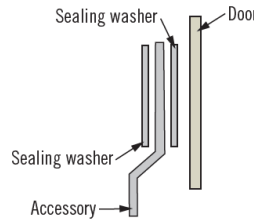
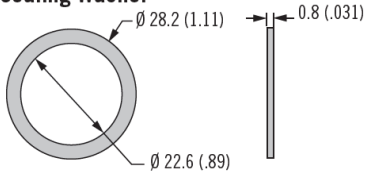
### Sealing Cover



### Installation Notes

- To provide sealing: use two sealing washers and add compressed thickness of each washer and accessory thickness to your door thickness range

### Sealing Washer

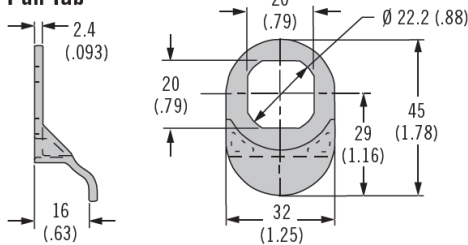


### Notes

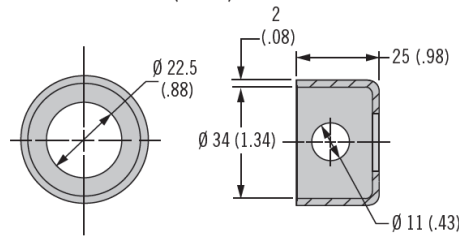
- Sealing cover for use with tool operated and cylinder lock E5 only
- Sealing washer for use with all E5 products
- Padlock brackets and pull tabs for use with tool operated and cylinder lock E5 only

Type	Part Number	Grip Adjustment Formula
Sealing washer	E5-17	Add 0.4 (0.02) compressed height to door thickness
Sealing cover	90-3	Add 2.3 (.090) to door thickness

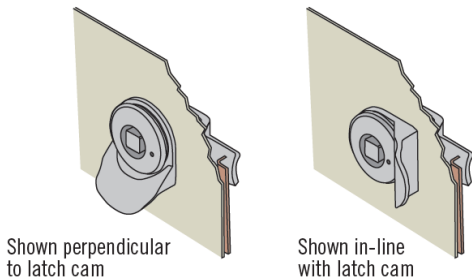
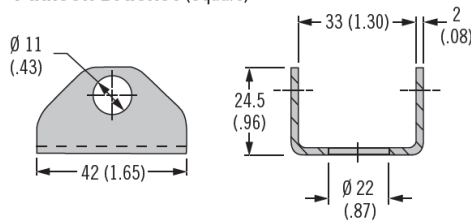
### Pull Tab



### Padlock Bracket (Round)



### Padlock Bracket (Square)



Shown perpendicular to latch cam

Shown in-line with latch cam

Type	Part Number	Grip Adjustment Formula
Padlock bracket square	E3-77-101-31	Add 2 (.08) to door thickness
Padlock bracket round	E3-77-102-31	Add 2 (.08) to door thickness
Pull tab	E5-18	Add 2.4 (.093) to door thickness

**southco**  
We are proud to be  
Southco's authorized  
distributor of over 20 years